

IWT 365 SERIES MECHANICAL CONTROL VALVE



Features:

- Exclusive NSF Certified mechanical control valve with reliable piston, seal and spacer design
- Automatic cycles
- Easy to set time of day
- Simple skipper wheel regeneration settings
- Time saving quick connections for easy installation and maintenance
- Bypass valve included
- Five Year Warranty

Specifications	
Valve Body Material	Noryl (PPO)
Plumbing Connections (NPT)	Straight – ½", ¾", 1" 90 Deg – ¾"
Tank Thread	2-1/2" NPSM
Regeneration	Down Flow
Regeneration Mode	Timer
Regeneration Time	2:00 AM
Distributor Pilot	1.05"
Drain Line	1/2" Quick Connect
Brine Line	3/8" Quick Connect
Flow Rates (Valve Only 50 psi inlet)	
Continuous (15 psi drop)	20 GPM
Peak (25 psi drop)	26 GPM
Max. Backwash (25 psi drop)	7 GPM
Cv	5.2
Typical Applications	
Softeners	up to 16" Diameter
Filters	up to 10" Diameter
Electrical	
Input	110V AC 50/60Hz
Output	12V AC 50/60Hz 410mA
Certification	cUL
Operation Ratings	
Max. Working Pressure	20 - 125 psi
Max. Temperature	34F - 110F
Approvals	
NSF	Certified
Additional Information	
Shipping Weight	7 pounds



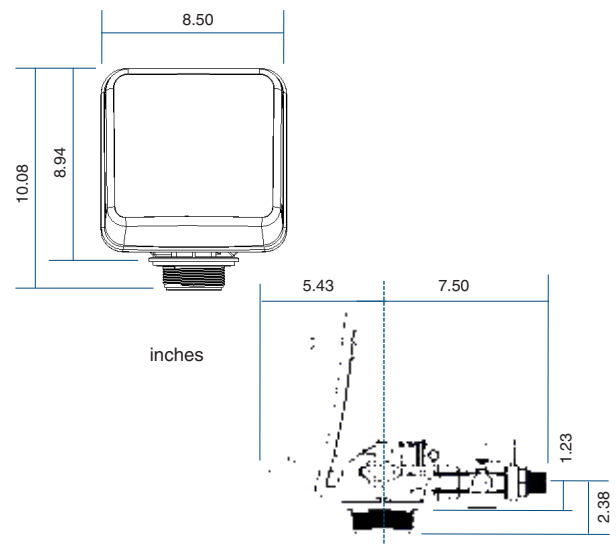
QC Power Cable



QC Brine Line



QC Drain Line



Canature USA Inc. (Golden Valley, MN);
Canature North America Inc.
(Regina, SK; Kitchener, ON)
www.iwtwater.com

Your Local Water Professional: